

LOCK SWITCH

WRL60

WRL60 IP66/IP67 LOCK SWITCH

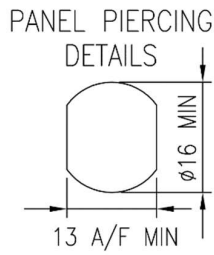
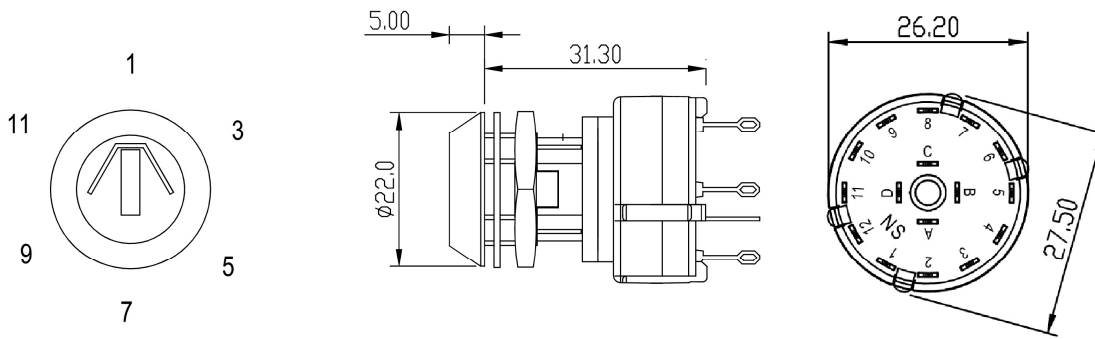
ELECTRICAL & MECHANICAL SPECIFICATION

Switch Rating:	1A @24V ac/dc.	Life:	>10,000 Cycles
Proof Voltage:	1500 Vac (Initial)	Lock Type:	5 Disc
Insulation Resistance:	>999MΩ @ 500V dc (Initial)	Lock Housing:	Zinc Alloy Bright Cr Plated
Contact Resistance:	<20mΩ (Initial)	Wafer Material:	Polyamide 6.6 G>F. V0 Rated
Contact Material:	Brass CZ108, Ag Plated	Housing Material:	Polycarbonate
Operating Temperature:	-30°C to +85°C		

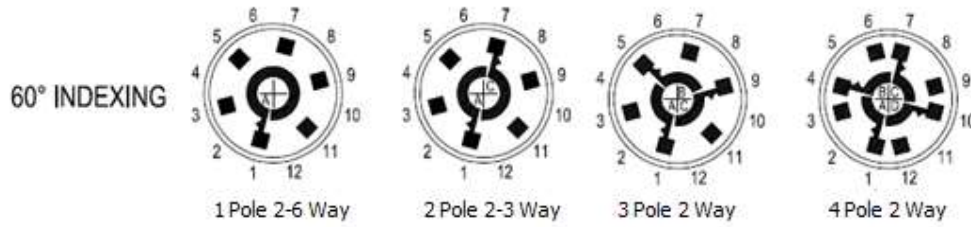
FEATURES

Suitable for Severity One marine environment (EN60068-2-52). Salt mist tested.

- | | | |
|---|---|--|
| Single wafer switch
One - four poles | 2 keys per switch - Up to 200 differ key combinations available | Contacts: Non shorting BBM |
| Max panel thickness 3.5mm | Keys are double entry (can be inserted into lock either way up) | Gold flashed or gold plate contacts available
Solder or PCB terminals |
| Made In UK | Key removable at 60° positions | Two stage assembly: Lock through front, module snaps on from rear |

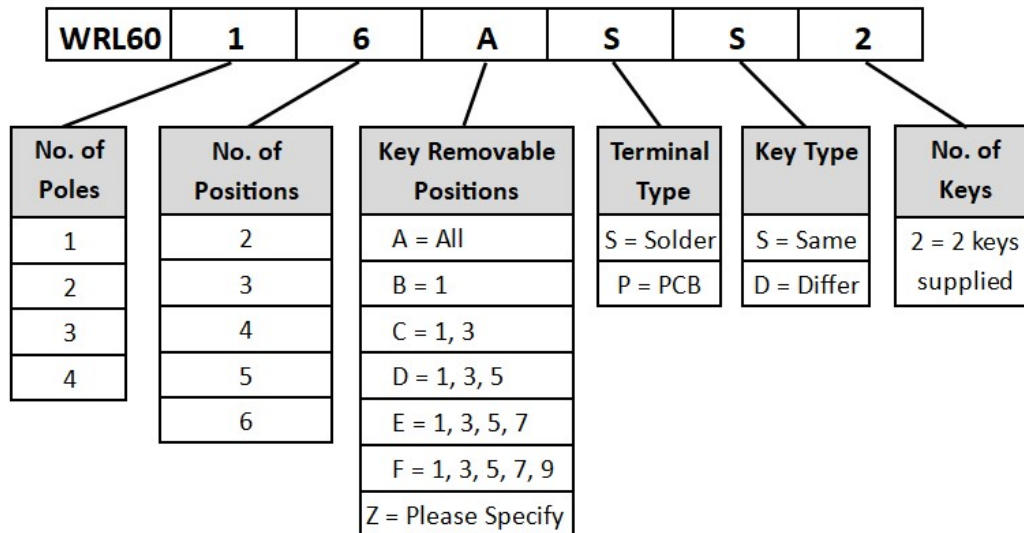


WRL60 LOCK SWITCH INDEXING



(Viewed from front)

WRL60 ORDERING CODE



Gold of Gold flash contacts available on request.

Add suffix G (gold) or GF (gold flash) to end of part number

