

LOCK SWITCH

SRL60

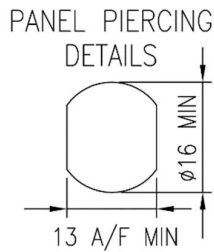
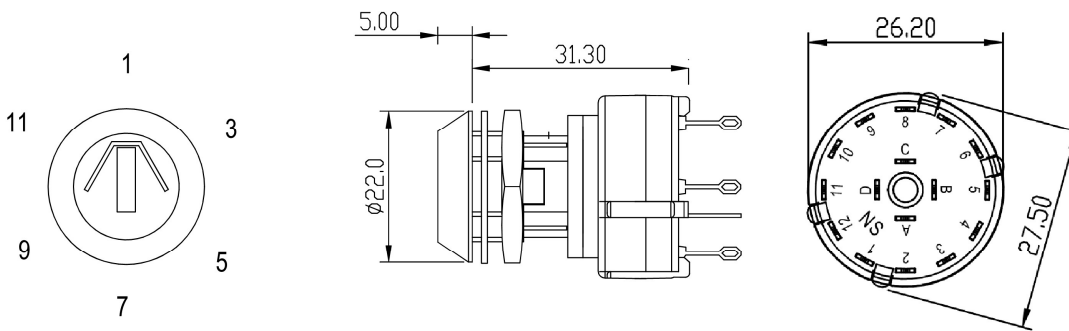
SRL60 LOCK SWITCH

ELECTRICAL & MECHANICAL SPECIFICATION

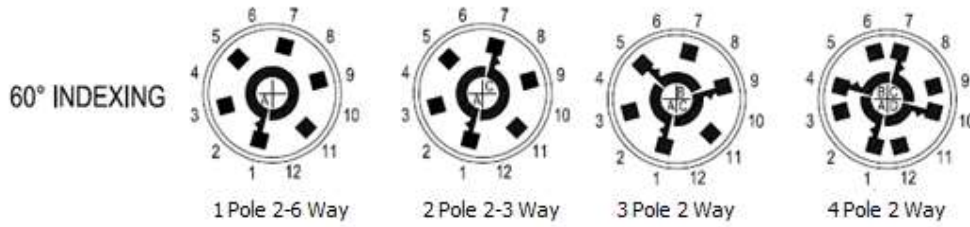
Switch Rating:	1A @24V ac/dc.	Life:	>10,000 Cycles
Proof Voltage:	1500 Vac (Initial)	Lock Type:	5 Disc
Insulation Resistance:	>999MΩ @ 500V dc (Initial)	Lock Housing:	Zinc Alloy Bright Cr Plated
Contact Resistance:	<20mΩ (Initial)	Wafer Material:	Polyamide 6.6 G>F. V0 Rated
Contact Material:	Brass CZ108, Ag Plated	Housing Material:	Polycarbonate
Operating Temperature:	-30°C to +85°C		

FEATURES

- Single wafer switch
- One - four poles
- Max panel thickness 4.5mm
- Made In UK
- 2 keys per switch - Up to 200 differ key combinations available
- Keys are double entry (can be inserted into lock either way up)
- Key removable at 60° positions
- Contacts: Non shorting BBM
- Gold flashed or gold plate contacts available
- Solder or PCB terminals
- Two stage assembly: Lock through front, module snaps on from rear

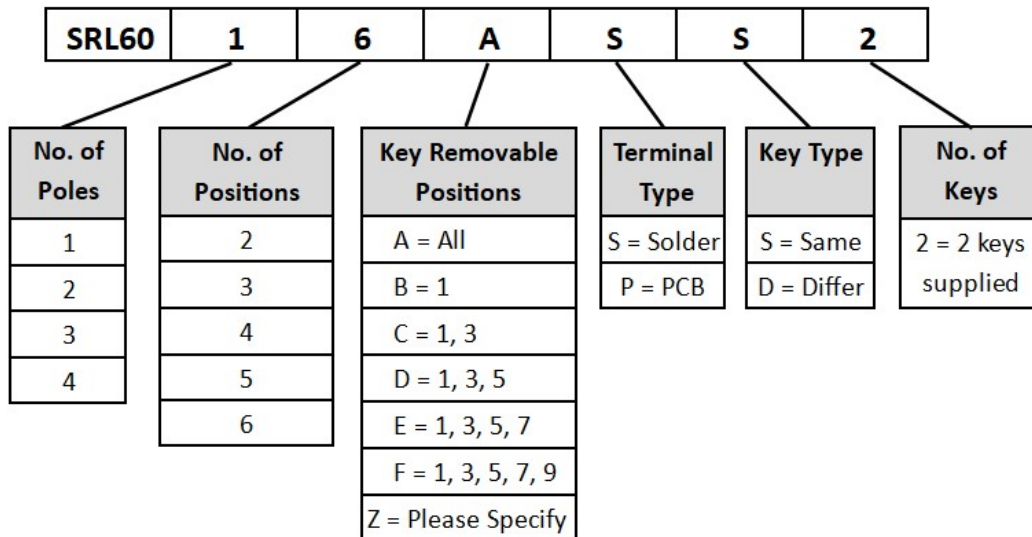


SRL60 LOCK SWITCH INDEXING



(Viewed from front)

SRL60 ORDERING CODE



Gold of Gold flash contacts available on request.

Add suffix G (gold) or GF (gold flash) to end of part number

