

**ROTARY SWITCH**

**GCKS GRAY CODED ROTARY SWITCH IP66/IP67**

**ELECTRICAL & MECHANICAL SPECIFICATION**

<b>Switch Rating:</b>	150mA @ 24V ac/dc	<b>Life:</b>	>10,000 Cycles
<b>Proof Voltage:</b>	250V ac (Initial)	<b>Operating Temperature:</b>	-30°C to +85°C
<b>Insulation Resistance:</b>	>999 MΩ at 500V dc (Initial)	<b>Operating Torque (nominal):</b>	Standard 4.7 ± 0.5 cNm
<b>Contact Resistance</b>	<50 mΩ (Initial)	<b>End Stop Torque (nominal):</b>	0.8 Nm
<b>Terminal Material:</b>	Brass, CZ108 Sn Plated	<b>Housing/Bush Material</b>	Polyamide 6.6 G.F

**FEATURES**

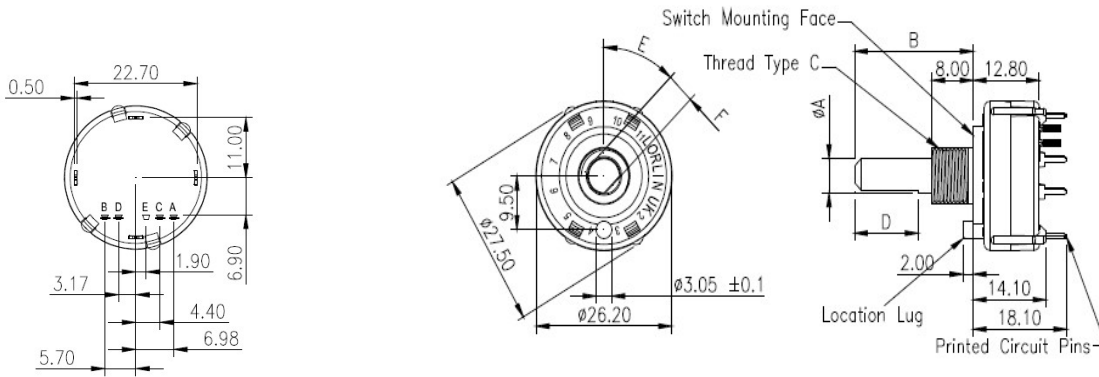
Panel Sealed IP66/67	Smooth feel operation
----------------------	-----------------------

Gray coded, standard and complimentary versions  
Adjustable stops to restrict number of positions

Standard 22.5° indexing 4-Bit  
Standard 45° indexing 3-Bit  
Moulded 27.5mm diameter

Spindles with special flats, slots or knurls  
PCB terminals + extra stabilising terminals

UL-V0 rated material option    IP67 option    Made in the UK



**STANDARD PART NUMBERS**

BASIC TYPES	SPINDLE DIAMETER	SPINDLE LENGTH FROM MOUNTING FACE	8mm LONG BUSH	SPINDLE FLAT LENGTH	ANGLE OF SPINDLE FLAT	SPINDLE FLAT THICKNESS	STANDARD METRIC		STANDARD IMPERIAL	
							Stop	No Stop	Stop	No Stop
IMPERIAL	6.35mm	38mm	9.52 x 32TPI	30mm	90°	5.5mm				
METRIC	6.00mm	50mm	M10 x 0.75	No Flat	---	---				

	STANDARD METRIC		STANDARD IMPERIAL	
	Stop	No Stop	Stop	No Stop
4-Bit Gray – Standard Spindle	GCKS1016	GCKS1017	GCKS1018	GCKS1019
4-Bit Gray Comp – Standard Spindle	GCKS1020	GCKS1021	GCKS1022	GCKS1023
3-Bit Gray – Standard Spindle	GCKS1024	GCKS1025	GCKS1026	GCKS1027
3-Bit Gray Comp – Standard Spindle	GCKS1028	GCKS1029	GCKS1030	GCKS1031

COMMON E Connection to Terminals				
Position	A	B	C	D
0				*
1				*
2			*	*
3			*	
4		*	*	
5		*	*	*
6		*		*
7		*		
8	*	*		
9	*	*		*
A	*	*	*	*
B	*	*	*	*
C	*	*	*	*
D	*	*	*	*
E	*	*	*	*
F	*	*	*	*

LORLIN GRAY CODED COMMON -4-BIT

COMMON E Connection			
Position	A	B	C
0			
1			*
2		*	*
3		*	*
4	*	*	*
5	*	*	*
6	*	*	*
7	*	*	*

LORLIN GRAY CODED COMMON -3-BIT

STD - COUNT UP MIN - MAX  
 COMP - COUNT DOWN - MAX - MIN  
 AS ROTATED CLOCKWISE

### SPINDLE DIMENSIONS

	A	B	C	D	E	F
BASIC TYPES	SPINDLE DIAMETER	SPINDLE LENGTH FROM MOUNTING FACE	8mm LONG BUSH	SPINDLE FLAT LENGTH	ANGLE OF SPINDLE FLAT	SPINDLE FLAT DEPTH
IMPERIAL	6.35mm	38mm	9.52 x 32TPI	30mm	90°	5.5mm
METRIC	6.00mm	50mm	M10 x 0.75	No Flat	---	---

### STANDARD SCREWDRIVER SLOT ANGLES

Standard screwdriver slots are 1.2mm wide and 1.5mm deep.



### TYPICAL SPINDLE DETAILS



Orientation with location lug in position shown.



#### EXAMPLE

Screwdriver slot level with top of threaded fixing bush 1.2mm wide x 1.5mm deep (standard) at 90° (standard)

### GCKS ORDERING: DETAILS NEEDED

1. Switching Code
2. Imperial or Metric Spindle Diameter
3. Dimension (B) Spindle length from Mounting Face
4. Thread Required (C)
5. Spindle Flat length if required (D)
6. Angle of Flat (E)
7. Spindle Flat Depth (F)
8. 8 Position or No Stop Version
9. Contact Plating: Silver/Gold Flash/2.5 microns Gold Plate
10. Location Lug if required