

# ROTARY SWITCH



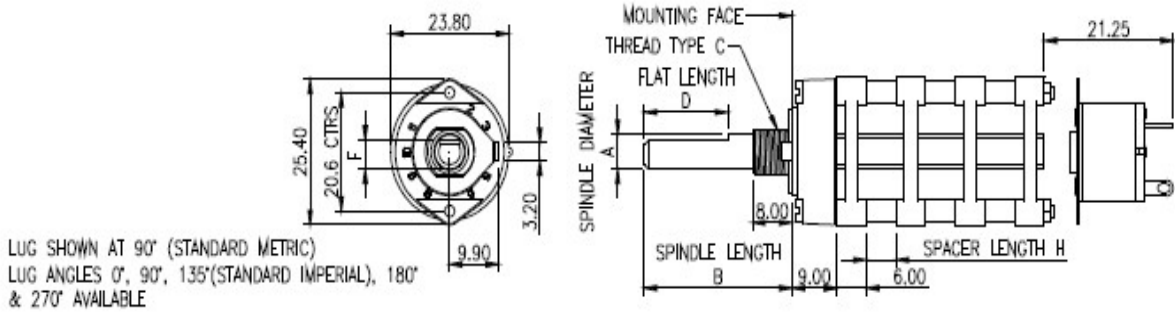
## RA ROTARY SWITCH

### ELECTRICAL & MECHANICAL SPECIFICATION

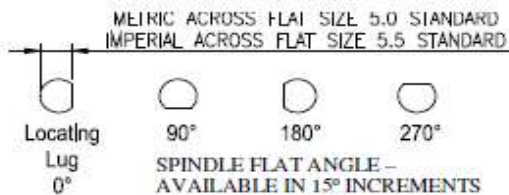
<p><b>Switch Rating:</b> (Resistive load)                    500mA @ 24V ac/dc</p> <p><b>Proof Voltage:</b>                    1,000Vac Initial</p> <p><b>Insulation Resistance:</b>        &gt;999 MΩ at 500V dc (Initial)</p> <p><b>Contact Resistance</b>                &lt;20 mΩ (Initial)</p> <p><b>Contact/Terminal Material:</b>    Brass CZ108 Ag Plated</p>	<p><b>Life:</b>                                    &gt;10,000 Cycles</p> <p><b>Operating Temperature:</b>        -30°C to +85°C</p> <p><b>Operating Torque (nominal):</b>    Standard 7.2 cNm</p> <p><b>End Stop Torque (nominal):</b>     1.2 Nm</p> <p><b>Spindle Material:</b>                Mild Steel Zn Plated &amp; Passivated</p> <p><b>Wafer Material:</b>                  Polyphenylene Sulphide (PPS)</p> <p><b>Housing Material:</b>                Zinc Alloy Bright Zinc Plated</p>
---	---

### FEATURES

<p>25.4mm diameter multi wafer switch</p> <p>Standard self-staking wafers</p> <p>Solder or PCB terminals</p>	<p>Adjustable stops to restrict number of positions</p> <p>Spindles with special sizes and flats</p> <p>Standard silver contacts, gold flashed or gold plated also available</p>	<p>Shorting (MBB make before break) or non-shortening (BBM break before make) contacts</p> <p>Standard 30° indexing, 45°, 60° and 90° also available</p> <p>Mains module options                    Made in UK</p>
--	--	--

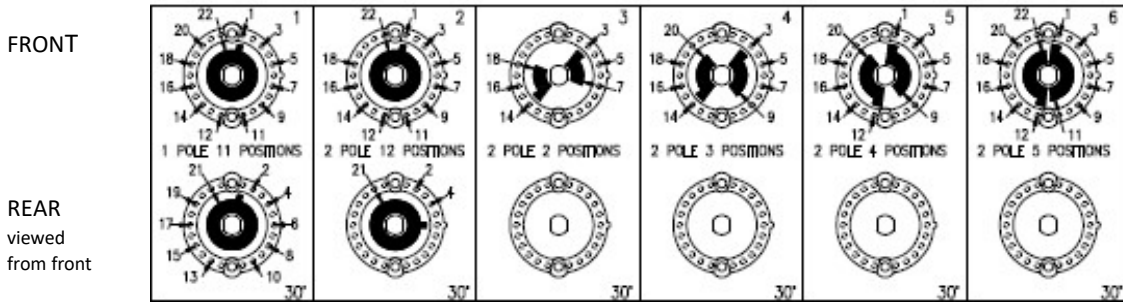


### SPINDLE OPTIONS

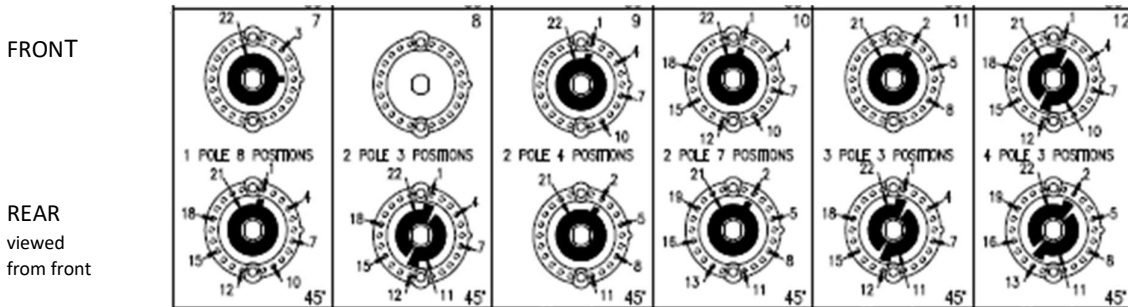


	A	B	C	D	E	F	G	HIKL
	Spindle Diameter	Spindle Length	Bush Thread	Spindle Flat Lgth	Spindle Angle	Spindle Flat	Locating Lug Angle	Spacer Length
IMPERIAL	6.35mm	50mm	9.52 x 32TPI			(5.5mm)		
METRIC	6.0mm	50mm	M10 x 0.75			(5.0mm)		

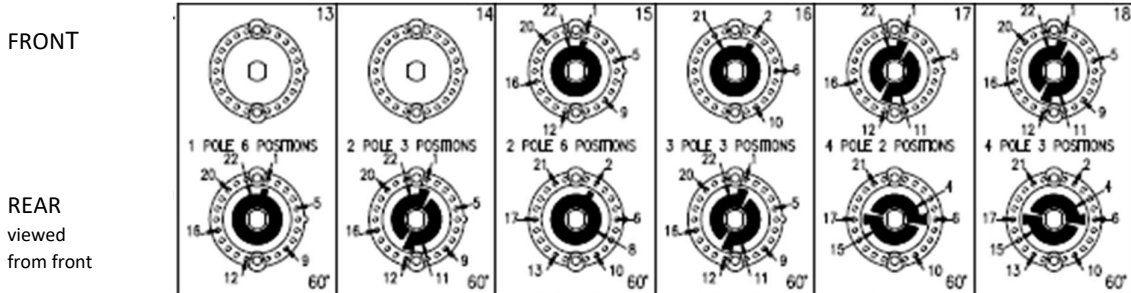
### 30° WAFER LAYOUTS



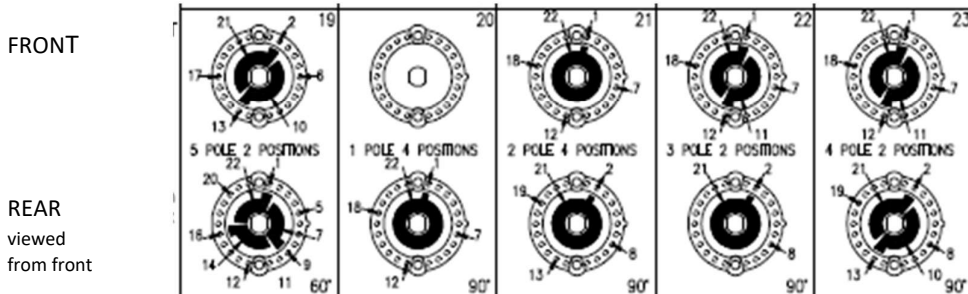
### 45° WAFER LAYOUTS



### 60° WAFER LAYOUTS

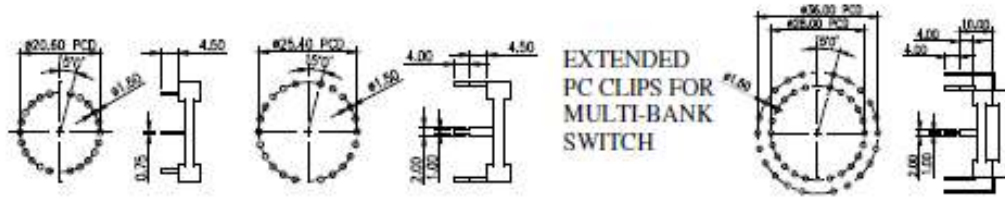


### 90° WAFER LAYOUTS



FRONT AND REAR WAFERS VIEWED FROM FRONT OF SWITCH IN FURTHEST COUNTER CLOCKWISE POSITION

## PRINTED CIRCUIT TERMINAL TYPES



PRINTED CIRCUIT PINS    STANDARD PRINTED CIRCUIT CLIPS

## RA ORDERING CODE

Nb. Standard spindles are unflattened x 50mm FMF (from mounting face) This includes the length of the 8mm bush.  
Popular Non-Standard Spindles (unflattened) are 14mm, 16mm, 18mm, 20mm, 22mm and 24mm FMF

TERMINAL CODE	CONTACT PLATING	SPINDLE/ BUSH
S	Solder Clips	M 6mmØ M10 x 0.75
P	20.5mmØ	I 6.35mmØ 9.52 x 32TPI
A	25.4mmØ	
B	28.0mmØ	
C	36.0mmØ	
S	Silver (2µ)	
G	Gold Plate (Au 2.5 µ, Ni 2 µ)	
F	Gold Flash (0.2 µ)	

