

# LOCK SWITCH



## CKL LOCK SWITCH WITH BRACKETED CK SWITCH MODULE

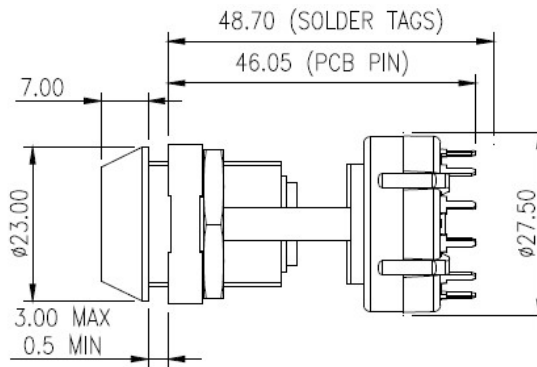
### ELECTRICAL & MECHANICAL SPECIFICATION

<b>Switch Rating:</b>	1A @ 24V dc	<b>Life:</b>	>10,000 Cycles
<b>Proof Voltage:</b>	1,500V ac (Initial)	<b>Lock Housing Material:</b>	Zinc Alloy Bright Cr Plated
<b>Insulation Resistance:</b>	>999 MΩ at 500V dc (Initial)	<b>Keys Material:</b>	Mild Steel Ni Plated
<b>Contact Resistance</b>	<20 mΩ (Initial)	<b>Housing Material:</b>	Polycarbonate
<b>Contact/Terminal Material:</b>	Brass CZ108 Ag Plated	<b>Wafer Material:</b>	Polyamide 6.6 G.F.V0 Rated
<b>Operating Temperature:</b>	-30°C to +85°C		

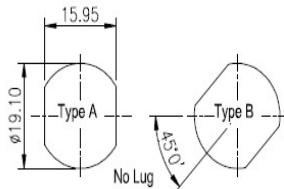
### FEATURES

Single wafer switch	2 keys per switch as standard	All contacts are non-shorting BBM (break before make) 30°, 60° or 90° switch indexing	Two stage assembly: Lock through front and the module attaches by bracket from the inside
Up to 4 poles per switch	Key removeable at 30° 60° or 90°	8-disc lock – anti-pick	Max panel thickness 3.0mm
Solder or PCB terminals	Common or differ keys		
Gold flashed or gold plated also available	2000 combinations Master key system available		

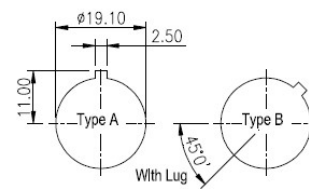
### CKL LOCK AND BRACKETED CK MODULE



PANEL  
PIERCING  
OPTIONS



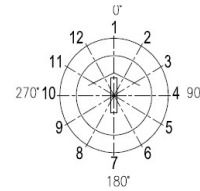
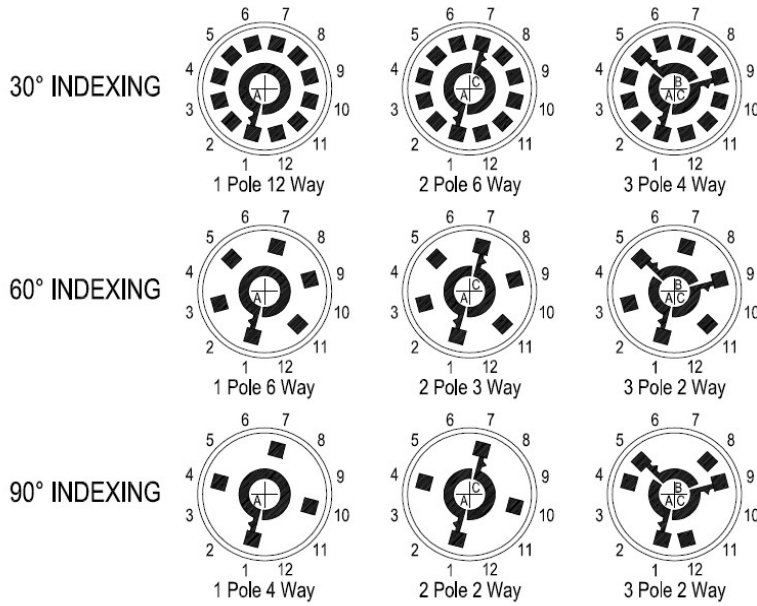
DOUBLE  
FLAT



ROUND  
HOLE

## CK MODULE TERMINAL LAYOUTS VIEWED FROM THE KEY 1 POSITION

## LOCK MOVEMENT



## ORDERING CODE

